

# SHIRE

DESIGN FABRIZIO CRISÀ

60 - 90 cm

Aspirante Duct-out

Vetro nero, vetro bianco

Black glass, white glass



DELAY  
SWITCH OFF



EASY TO  
MAINTAIN



MAINTENANCE  
ALARM



LONG LIFE  
FILTER



CM 45



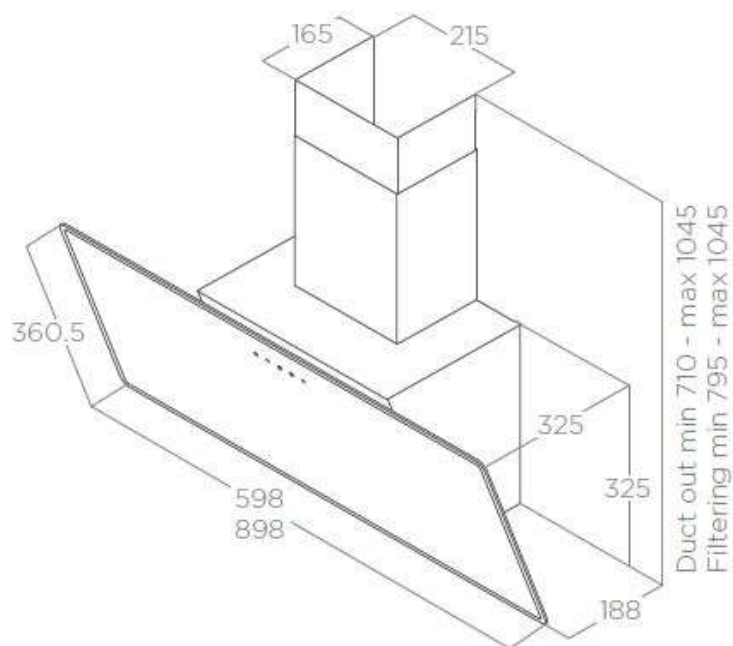
CM 65



Ø150



ENERGY  
CLASS  
(A+++/D)



Duct out min 710 - max 1045  
Filtering min 795 - max 1045

## ILLUMINAZIONE LIGHTING

Tipo Type	Led 2x1 W
Intensità Intensity	120 LUX
Temperatura Temperature	3500 K

## PERFORMANCE PERFORMANCE

Comandi Controls	Touch control capacitivo 2V+I 2S+B Capacitive touch control
Portata intensiva Booster airflow	650 m <sup>3</sup> /h
Livello sonoro min-max Noise level min-max	52 - 64 db(A)
Assorbimento totale Total absorption	232 W

Filtro grassi alluminio incluso Grease aluminium filter included  
Camino incluso Chimney included

## ACCESSORI ACCESSORIES

Filtro carbone Charcoal filter	CFC0140343
Filtro carbone rigenerabile Regenerable charcoal filter	CFC0162221

## MODELLI MODELS

SHIRE BL/A/60	PRF0119819A
SHIRE BL/A/90	PRF0119829A
SHIRE WH/A/60	PRF0119823A
SHIRE WH/A/90	PRF0119828A