

HAIKU

DESIGN FABRIZIO CRISÀ



60 - 90 - 120 cm

Aspirante Duct-out

Vetro nero, Krion bianco, acciaio inox

Black glass, white Krion, stainless steel



COMFORT SILENCE



SPECIAL MATERIAL



TOTAL INTEGRATION



MAINTENANCE ALARM



LONG LIFE FILTER



BACK ASPIRATION



CM 50



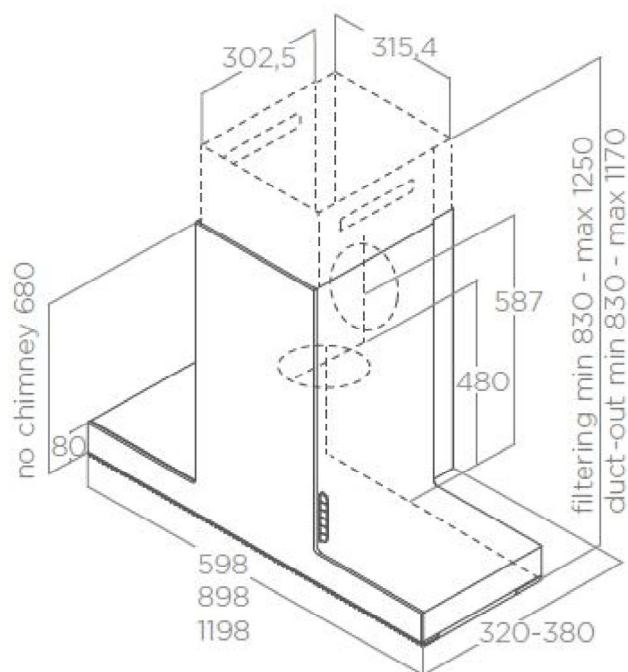
CM 65



Ø150



ENERGY CLASS (A++/D)



Possibilità di installazione, in modalità aspirante o filtrante, senza ausilio del camino superiore, restando in un'altezza di 680 mm

Possibility for installation in extraction or filtration mode, without the aid of the

ILLUMINAZIONE LIGHTING

Tipo Type	Strip Led 1x7 W
Intensità Intensity	253 LUX
Temperatura Temperature	3500 K

PERFORMANCE PERFORMANCE

Comandi Controls	Pulsantiera elettronica 3V+2I 3S+2B Electronic push button
Portata intensiva Booster airflow	690 m ³ /h
Livello sonoro min-max Noise level min-max	34 - 51 db(A)
Assorbimento totale Total absorption	277 W

Filtro grassi alluminio incluso Grease aluminium filter included

Camino incluso Chimney included

ACCESSORI ACCESSORIES

Filtro carbone Charcoal filter	CFC0141529A
Filtro carbone rigenerabile Regenerable charcoal filter	CFC0141725A

MODELLI MODELS

HAIKU IX/A/60	PRF0146255
HAIKU IX/A/90	PRF0146256
HAIKU IX/A/120	PRF0146257
HAIKU BL/A/60	PRF0146264
HAIKU BL/A/90	PRF0146265
HAIKU BL/A/120	PRF0146266
HAIKU WH/A/60	PRF0146268
HAIKU WH/A/90	PRF0146269
HAIKU WH/A/120	PRF0146270