

BOXIN

ELICA DESIGN CENTER

60 - 90 - 120 cm

Aspirante Duct-out

Acciaio inox, nero effetto soft touch

Stainless steel, black soft touch effect



EASY TO
MAINTAIN



TOTAL
INTEGRATION



LONG LIFE
FILTER



CM 50



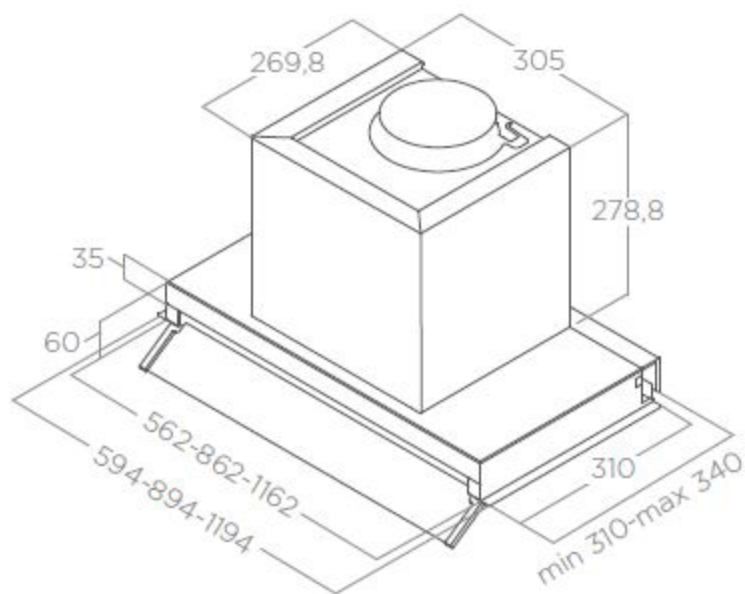
CM 50



Ø150



ENERGY
CLASS
(A⁺⁺⁺/D)



ILLUMINAZIONE LIGHTING

Tipo Type	Led 2x2,5 W
Intensità Intensity	381 LUX
Temperatura Temperature	3500 K

PERFORMANCE PERFORMANCE

Comandi Controls	Rotativo meccanico 3V 3S Mechanical rotative
Portata massima Max airflow	STD LUX 370 m ³ /h 620 m ³ /h
Livello sonoro min-max Noise level min-max	48 - 67 db(A) 50 - 70 db(A)
Assorbimento totale Total absorption	95 W 255 W

Filtro grassi alluminio incluso Grease aluminium filter included

ACCESSORI ACCESSORIES

Filtro carbone (*) Charcoal filter (*)	CFC0140343
Filtro carbone rigenerabile (*) Regenerable charcoal filter (*)	CFC0162221
Filtro carbone Charcoal filter	CFC0141497
Kit griglia diffusore aria Ø150 mm Air diffuser grid kit 150mm	KIT0162617
Kit camino H12 Chimney kit H12	KIT0091876
Kit camino H18,5+18,5 Chimney kit H18,5+18,5	KIT0141458

MODELLI MODELS

BOXIN LX/IX/A/60 (*)
BOXIN LX/IX/A/90 (*)
BOXIN LX/IX/A/120 (*)

PRF0114760A
PRF0114761A
PRF0114762A