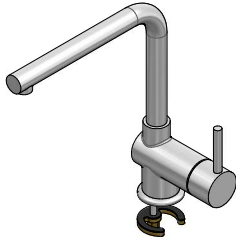


1RUBMFSC

DESCRIZIONE Rubinetto Miscelatore B-FAST
DESCRIPTION B-FAST mixer tap

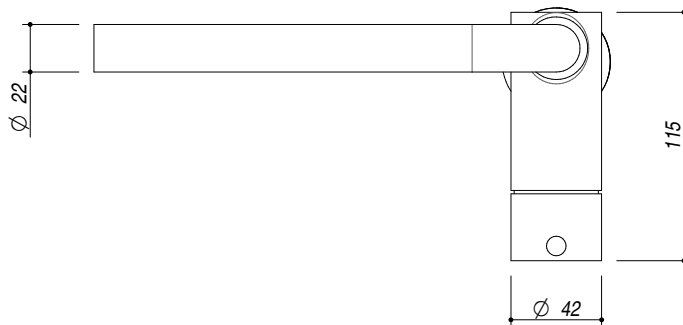
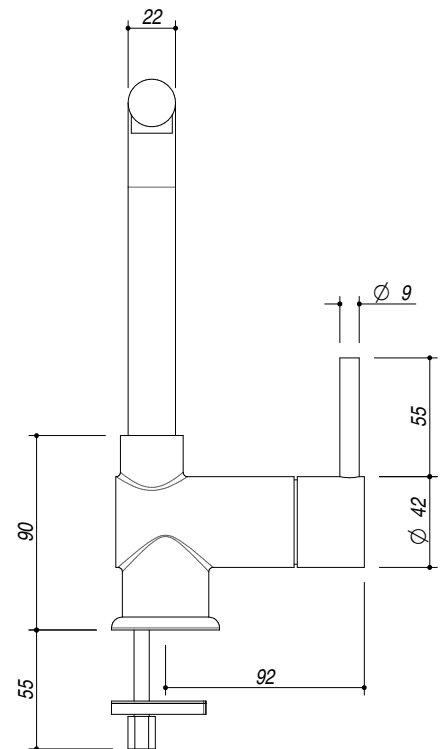
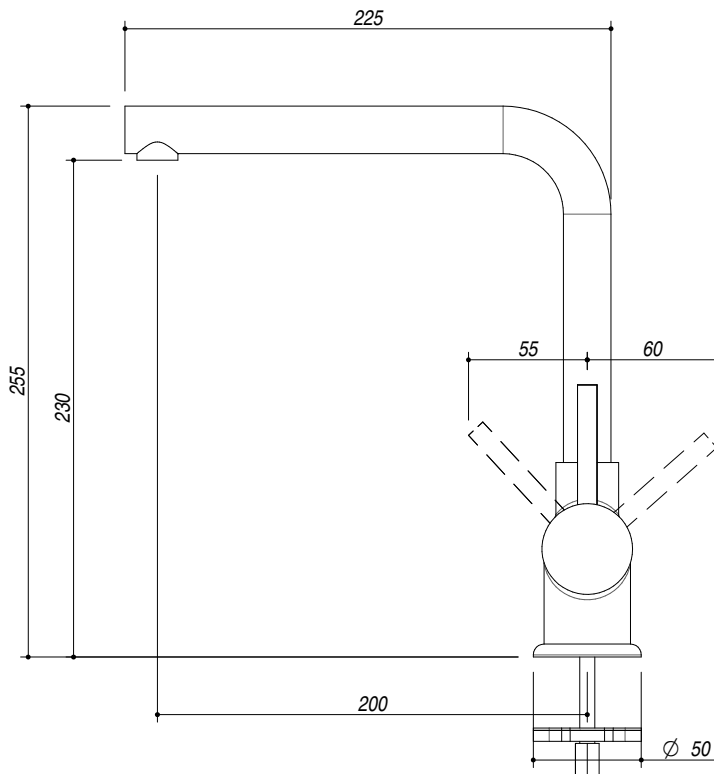
PESO LORDO 1.5 kg
GROSS WEIGHT

DIMENSIONI IMBALLO 375x200x75 mm
PACKAGING DIMENSIONS



CROMATO
CHROMED

- **Cartuccia: dischi ceramici (Ceramic disc cartridge)**
- **Rotazione canna: 360° (Top rotation)**
- **Base rubinetto: \varnothing 50 mm (Tap Base)**
- **Foro Rubinetto: \varnothing 35 mm (Tap Hole)**
- **Portata media: 12 litri / min (Average flow: 12 l/min)**



SCALA DISEGNO 1:3.5
DRAWING SCALE



TUTTE LE MISURE IN mm
ALL MEASURES IN mm

TOLLERANZA LINEARE: \pm 0.5 mm
LINEAR TOLERANCE

TOLLERANZA ANGOLARE: \pm 0.2 °
ANGULAR TOLERANCE